

Introduction

Your choice of length and width

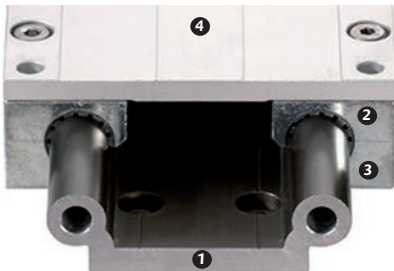
DryLin®W is a low cost linear guiding system that was developed to provide both design flexibility and quick assembly in both single and double rail configurations. The hard anodised aluminium rails means that DryLin®W systems are reputed for their low wear, low coefficients of friction, their resistance to dirt and their quiet operation.

Characteristics

- Sliding elements are maintenance free
- Maximum speed: 15 m/s
- Working temperature: -40°C to +90°C

Advantages

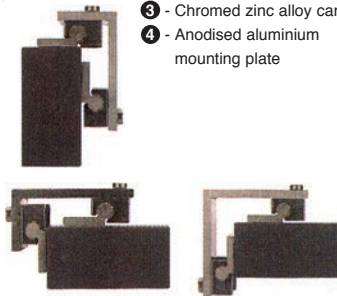
- Easily mounting, no maintenance required
- Low cost sliding carriage made from chromed zinc alloy and fitted with an iglidur® J200 liner
- Extremely light and lubricant free
- Unsupported sections allowed
- Single rail systems possible
- Not affected by dirt or dust
- Highly robust, wear and corrosion resistant
- Noiseless operation
- Hardened anodised aluminium rails
- Sliding elements fitted with iglidur® J200 liners
- Physical dimensions match those of standard aluminium profiles
- Low coefficient of friction



- 1 - Hardened anodised aluminium rails
- 2 - Smooth iglidur® J200 liners
- 3 - Chromed zinc alloy carriage
- 4 - Anodised aluminium mounting plate

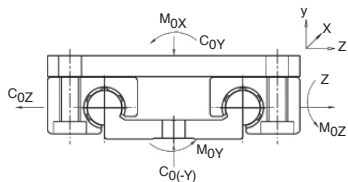
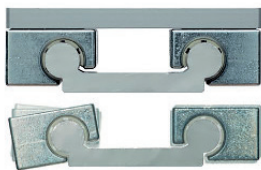
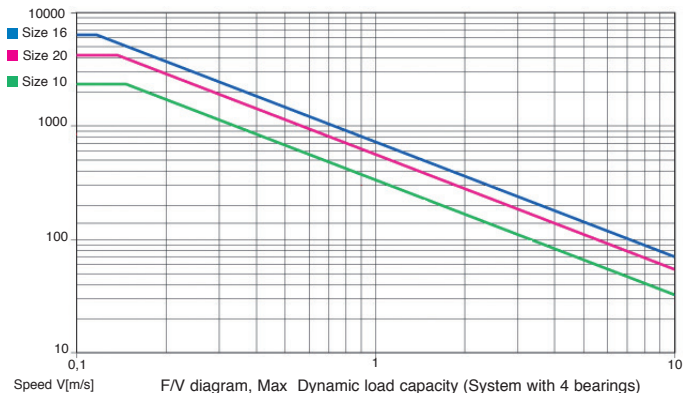



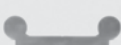
DryLin® W used for a stop dog in the glass industry



DryLin® W – Highest design flexibility

Slides



Rails available	Size 10 (mm)		Size 16 (mm)	Size 20 (mm)
 Single round rail	•		•	•
 Double rail	40 ² •	80 ² •	60 ² •	80 ² •

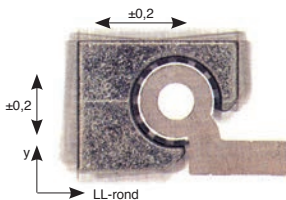
Design and assembly guide



Bearings able to float in all axes ($\pm 1\text{mm}$) compensate for misalignment and parallelism errors

Design

- **Floating bearings:**
- Facilitate assembly
- Only required where the rail or the system is welded
- Although DryLin® W is a profile rail system, it is able to compensate angular rotation errors about the x-axis. An angular adjustment of $\pm 7^\circ$ is possible. This effectively eliminates the problems known to occur when fitting to sheet metal.

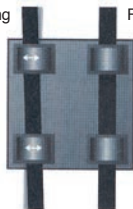


Floating bearings are available on request

Assembly

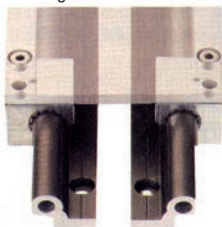
Floating bearings for linear guide systems

Floating bearing Fixed bearing



Automatic compensation of parallelism errors

Floating Fixed



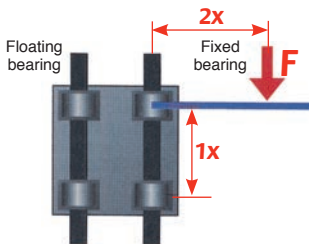
Assembly using rails

Eccentric Forces

When using linear plain bearings it is important to ensure that the acting forces follow the 2:1 Rule (see drawing). If either the load or the drive force (F) is greater than twice the bearing length ($1x$), then a binding or interrupted motion may occur. It is caused by rubbing. The further the bearing is distanced from the guide bearing, the greater the wear and required moving force.

info.

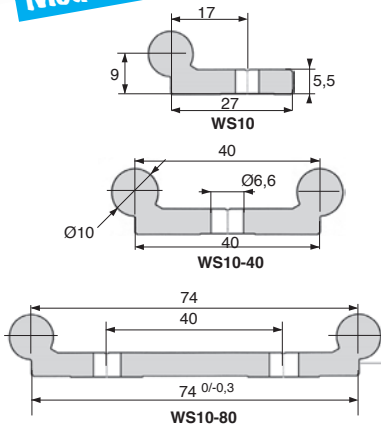
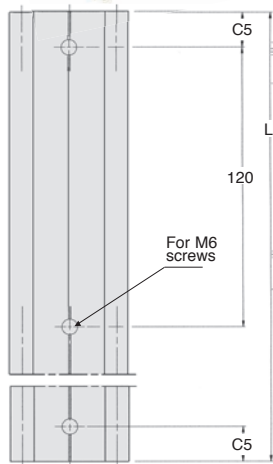
- If this guide is not followed, then the movement may become jerky or the system may jam.



Distance acceptable for applied loads



- Material: hard anodised aluminium
- Standard length: 1000mm
- Option:** Other lengths available (up to 4000mm)
- for slide **WJUM10** and **WJRM10**



DISCOUNTS

Qty	1+	6+	20+
Disc.	List -10%	On request	

Part number	Length L (mm)	Max. length L (mm)	C5 mini	C5 maxi	Iy (mm ⁴)	Iz (mm ⁴)	Wby (mm ³)	Wbz (mm ³)	Weight (kg/m)	Stock ¹	Price each 1 to 5
WS10	1000	4000	20	79,5	19000	2850	1000	310	0,62	✓	64,60 €
WS10-40	1000	4000	20	79,5	91000	5100	3600	590	1,00	✓	94,90 €
WS10-80	1000	4000	20	79,5	388000	6100	9200	650	1,50	✓	158,06 €

¹Depending on availability - Dimensions in mm

DryLin® W bearing block



WJUM10 Size 10 - For loads of up to 1200N

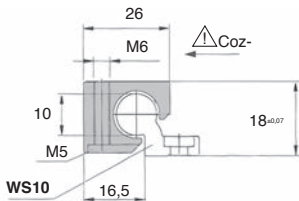
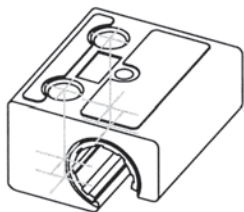
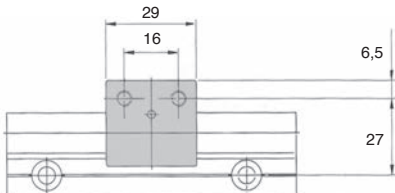
- Material:
Housing: Zamak
Liner: iglidur®J200

Advantages

- Full design flexibility using **WS10** single rails and **WJUM01-10** slides



Modular



DISCOUNTS

Qty	1+	6+	20+
Disc.	List	-10%	On request

Part number	Type	Backlash (mm)	Weight (g)	Max. static load (20°C)			Stock*	Price each 1 to 5
				Coy (N)	Coz+ (N)	Coz- (N)		
WJUM01-10	Fixed	0	27	1200	1200	250	✓	8,37 €
WJUM01-10-LL	Floating	±0,2	27	1200	1200	250	✓	8,37 €

*Depending on availability - Dimensions in mm



- A **WW10** slide comprises:
- 1 mounting plate
 - 4 WJUM01-10 bearing block

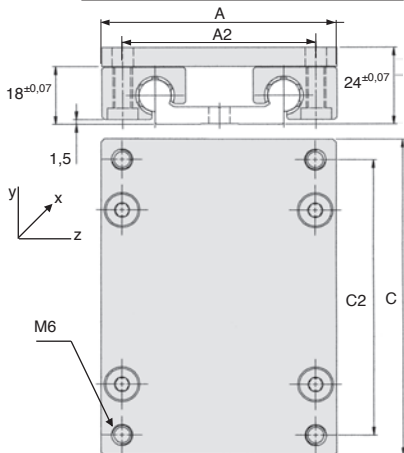
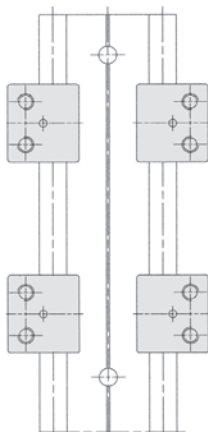
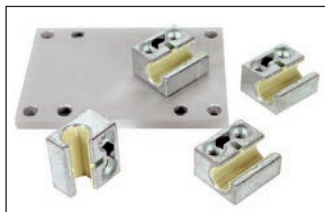
Advantages

- Low profile design

Accessories

- **WS10-40** and **WS10-80** rails

Modular



DISCOUNTS

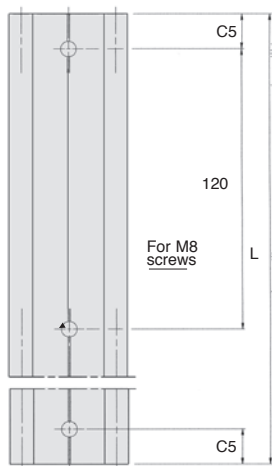
Qty	1+	6+	20+
Disc.	List	-10%	On request

Part number	A	C	A2	C2	Max. static load (20°C)					Weight (kg)	Stock*	Price each 1 to 5
					Coy (N)	Coz (N)	Mox (N)	Moy (Nm)	Moz (Nm)			
WW10-40-10	73	100	60	87	4800	4800	96	170	170	0,29	✓	81,49 €
WW10-40-15	73	150	60	137	4800	4800	96	290	290	0,34	✓	86,15 €
WW10-40-20	73	200	60	187	4800	4800	96	410	410	0,40	✓	91,18 €
WW10-80-10	107	100	94	87	4800	4800	178	170	170	0,34	✓	87,14 €
WW10-80-15	107	150	94	137	4800	4800	178	290	290	0,42	✓	93,15 €
WW10-80-20	107	200	94	187	4800	4800	178	410	410	0,50	✓	102,98 €

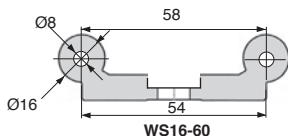
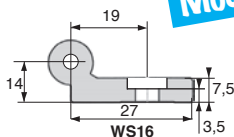
*Depending on availability - Dimensions in mm



- Material: Hard anodised aluminium
- Standard length : 1000mm
- Other lengths available (up to 4000 mm)
- for slide **WJUM16** and **WJRM16**



Modular



DISCOUNTS

Qty	1+	6+	20+
Disc.	List -10%	On request	

Part number	Length L (mm)	Max. length L (mm)	C5 mini	C5 maxi	ly (mm ⁴)	lz (mm ⁴)	Wby (mm ³)	Wbz (mm ³)	Weight (kg/m)	Stock*	Price each 1 to 5
WS16	1000	4000	20	79,5	36000	12900	1800	940	0,98	✓	87,17 €
WS16-60	1000	4000	20	79,5	36760	26100	9900	1900	1,96	✓	184,67 €

*Depending on availability - Dimensions in mm



DryLin®W bearing block

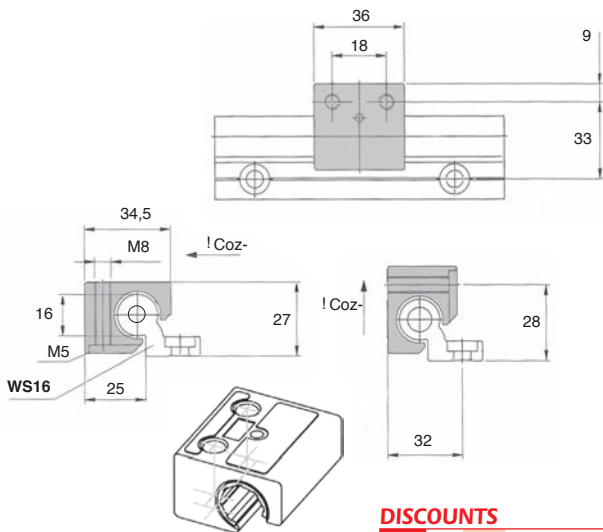
Size 16 - For loads of up to 2100N **WJUM16**

- Material:
Housing: Zamak
Liner: iglidur®j200

Advantages

- Full design flexibility using **WS16** single rails and **WJUM01-16** slides

Modular



DISCOUNTS

Qty	1+	6+	20+
Disc.	List	-10%	On request

Part number	Type	backlash	Weight (g)	Max. static load (20°C)			Stock*	Price each 1 to 5
				Coz (N)	Coz+ (N)	Coz- (N)		
WJUM01-16	Fixes	0	100	2100	2100	400	✓	15,37 €
WJUM01-16-LL	Floating	±0,2	100	2100	2100	400	-	15,39 €

*Depending on availability - Dimensions in mm



A **WW16** slide comprises:

- 1 mounting plate
- 4 WJUM01-16 bearing block

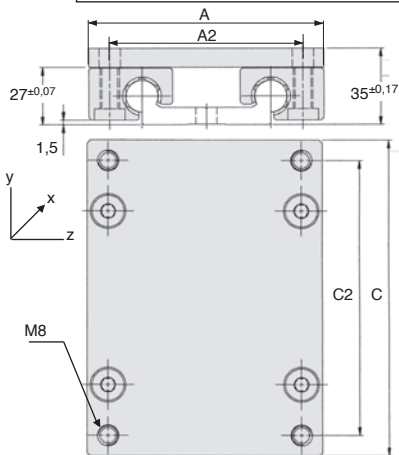
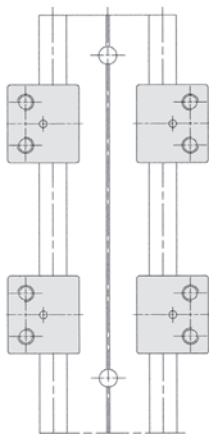
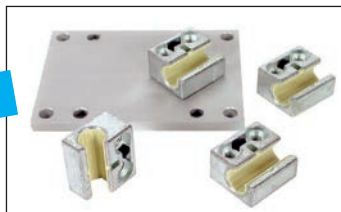
Advantage

- Low profile design

Accessories

- **WS10-40** and **WS10-80** rails

Modular



DISCOUNTS

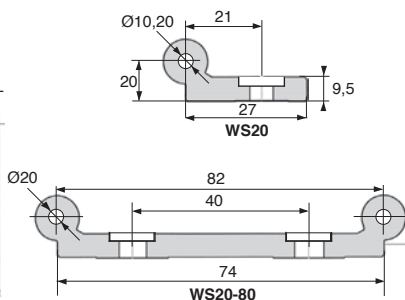
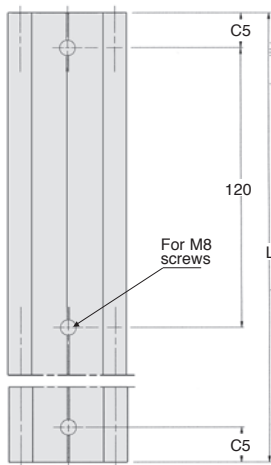
Qty	1+	6+	20+
Disc.	List	-10%	On request

Part number	A	C	A2	C2	Max. static load (20°C)					Weight (kg)	Price each 1 to 5	
					Coy (N)	Coz (N)	Mox (N)	Moy (Nm)	Moz (Nm)			
WW16-60-10	104	100	86	82	8400	8400	240	270	270	0,71	-	110,29 €
WW16-60-15	104	150	86	132	8400	8400	240	480	480	0,84	✓	120,72 €
WW16-60-20	104	200	86	182	8400	8400	240	690	690	0,97	-	133,05 €

*Depending on availability - Dimensions in mm



- Material: Hard anodised aluminium
- Standard length: 1000mm
- Other lengths available (up to 4000 mm)
- for slide **WJUM20** and **WJRM20**



DISCOUNTS

Qty	1+	6+	20+
Disc.	List	-10%	On request

Part number	Length L (mm)	Max. length L (mm)	C5 mini	C5 maxi	Iy (mm ⁴)	Iz (mm ⁴)	Wby (mm ³)	Wbz (mm ³)	Weight (kg/m)	Stock*	Price each 1 to 5
WS20	1000	4000	20	79,5	9000	2850	1000	310	1,32	✓	102,02 €
WS20-80	1000	4000	20	79,5	108000	78700	21000	4000	3,30	✓	217,03 €

*Depending on availability - Dimensions in mm

DryLin® W bearing block

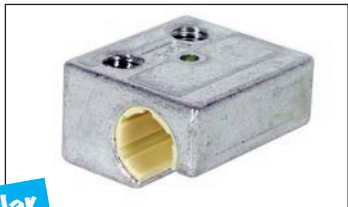


WJUM20 Size 20 - For loads of up to 3200N

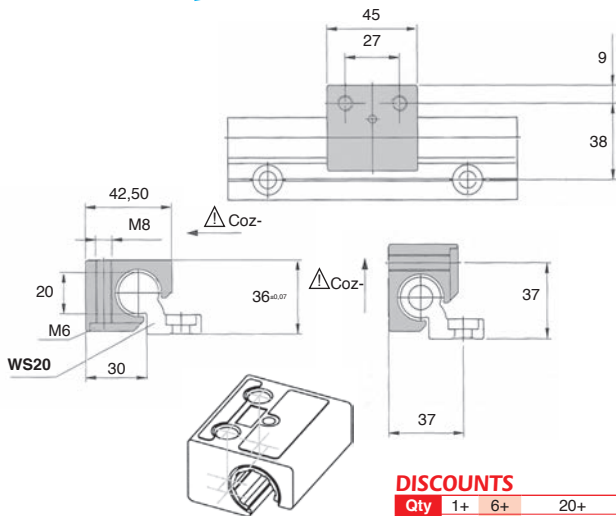
- Material:
Housing: Zamak
Liner: iglidur®J200

Advantage

- Full design flexibility using **WS20** single rails and **WJUM01-20** slides



Modular



DISCOUNTS

Qty	1+	6+	20+
Disc.	List	-10%	On request

Part number	Type	Backlash (mm)	Weight (g)	Coy (N)	Coz+ (N)	Coz- (N)	Stock*	Price each 1 to 5
WJUM01-20	Fixed	0	190	3200	3200	500	✓	16,28 €
WJUM01-20-LL	Floating	±0,25	190	3200	3200	500	✓	16,28 €

*Depending on availability - Dimensions in mm



- A **WW20** slide comprises:
- 1 mounting plate
 - 4 WJUM01-20 bearing blocks

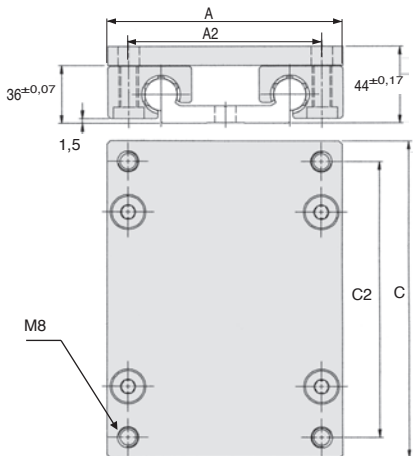
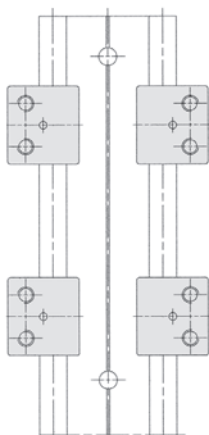
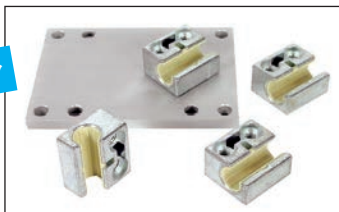
Advantages

- Low profile design

Accessories

- **WS20-80** rails

Modular



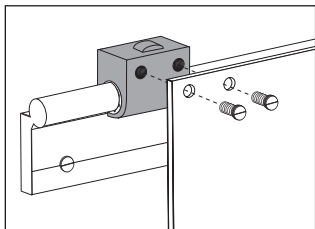
DISCOUNTS

Qty	1+	6+	20+
Disc.	List	-10%	On request

Part number	A	C	A2	C2	Max. static load (20°C)					Weight (kg)	Stock*	Price each 1 to 5
					Coy (N)	Coz (N)	Mox (N)	Moy (Nm)	Moz (Nm)			
WW20-80-15	134	150	116	132	12800	12800	525	670	670	1,20	✓	114,68 €
WW20-80-20	134	200	116	182	12800	12800	525	990	990	1,30	-	123,16 €
WW20-80-25	134	250	116	232	12800	12800	525	1250	1250	1,50	-	131,01 €

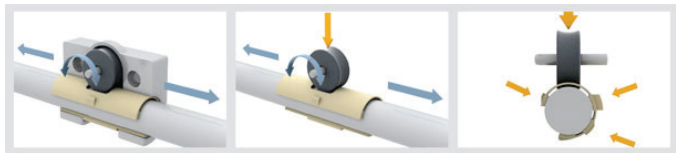
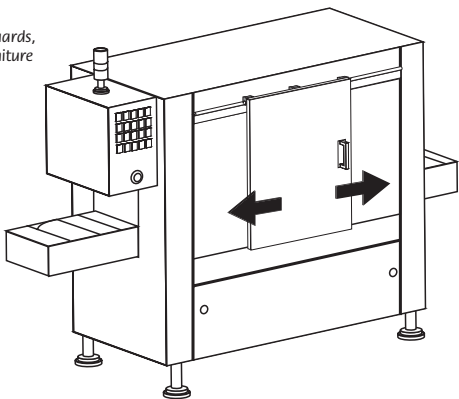
*Depending on availability - Dimensions in mm

- Drylin W hybrid bearings offer a unique combination of sliding and rolling movement. Depending on the mounting arrangement used, the use of maintenance free rollers reduce the driving force required. Any shear forces or shock forces are absorbed by the bearing. This hybrid bearing is ideally suited for manual adjustments especially in the applications such as door adjustments.
- Low driving force required, coefficient of friction 0.04 to 0.05 μ
- Highly cost effective solution
- Can be used with any of 7 profiles rails such as WS10, WS16 and WS20



Application

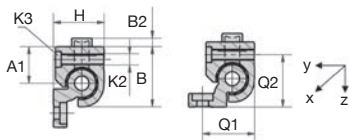
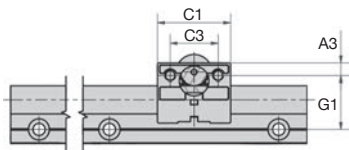
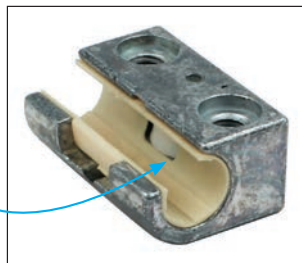
- Adjustable doors, machine guards, simple handling systems, furniture



- **Material :**
Zamack
Liner manufactured from iglidur J

Advantages

- No lubrication required
- Small size
- Lightweight



WJRM01-10
WJRM01-16
WJRM01-20

WJRM02-10
WJRM01-16
WJRM01-20

DISCOUNTS

Qty	1+	6+	20+
Disc.	List -10%	On request	

Part number	Static load (W)	Dynamic load capacity for a total travel distance of (km)			F _{xv} Max (N.m/s)
		10 (N)	100 (N)	200 (N)	
WJRM01-10	250	250	90	50	50
WJRM02-10	250	250	90	50	50
WJRM01-16	400	400	140	70	80
WJRM01-20	550	550	200	100	80

Part number	A1	A3	B	B2	C1	C3	G1	H	K2	K3	Q1	Q2	Weight Price each	
													(g)	1 to 5
WJRM01-10	16,5	6,5	26	2,5	35	22	27	18	M6	M5	-	-	46	21,51 €
WJRM02-10	16,5	6,5	26	2,5	35	22	27	18	M6	M5	26	19	46	21,51 €
WJRM01-16	25	9	34,5	5	48	30	33	27	M8	M6	32	28	131	47,01 €
WJRM01-20	30	9	42,5	6	52	34	38	36	M8	M6	37	37	232	54,88 €

Dimensions in mm