

Springs

HPC technical assistance
 Fax 0825 88 6000

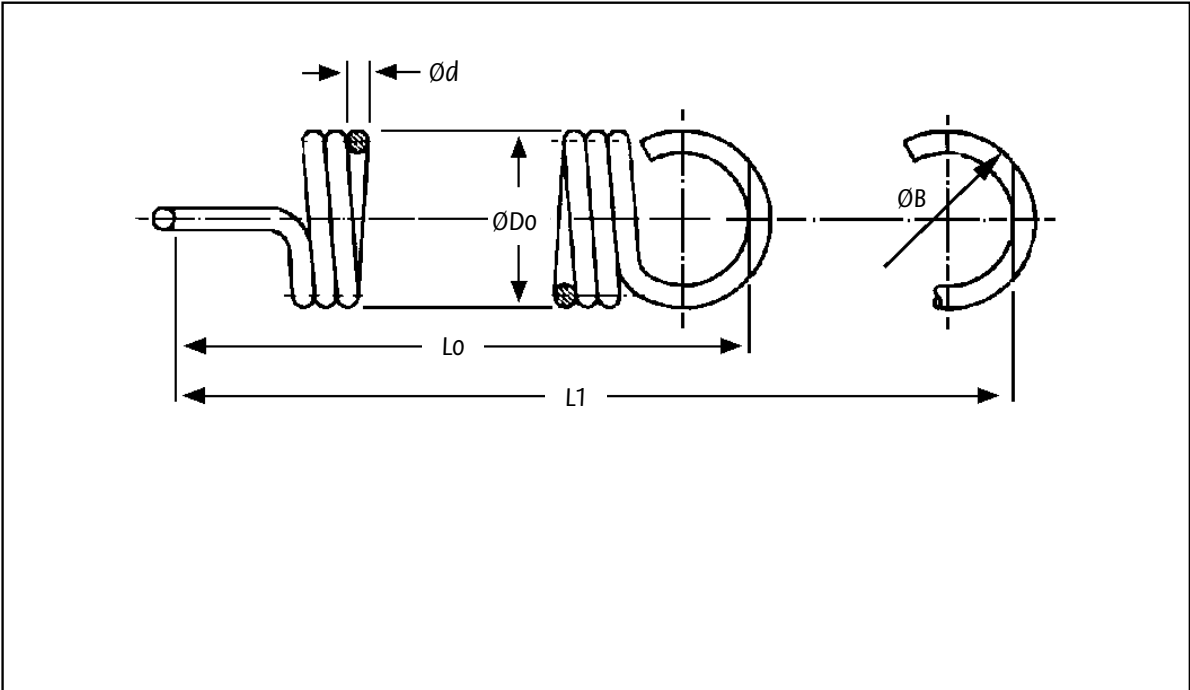
Custom-made draw-springs

For advice, please photocopy this page at 200%, fill it in, and send it to our technical assistance team.

Company: Address:

Contact: Account number:

Telephone: Fax:



Material			
ød		Ring diameter øB	
øDo		Ring orientation	<input type="checkbox"/> 0° <input type="checkbox"/> 90°
Length at rest Lo			
Length loaded L1			
Load (N)			

Quantity	
----------	--

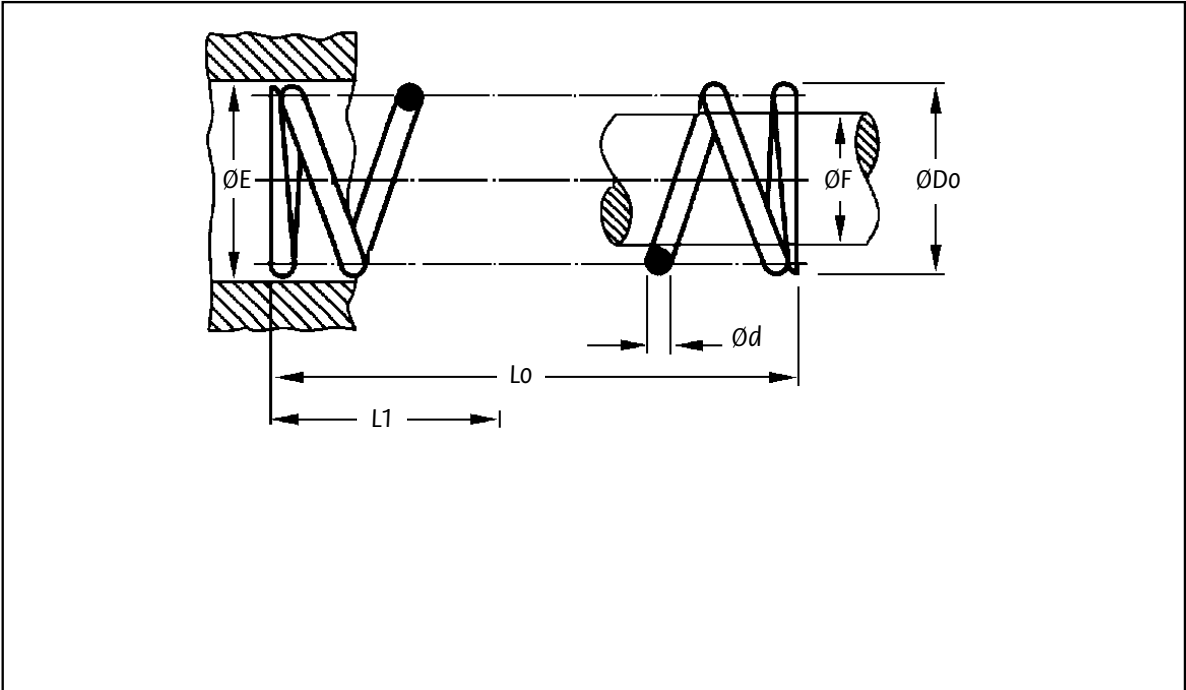
Custom-made compression springs

For advice, please photocopy this page at 200%, fill it in, and send it to our technical assistance team:

Company: Address:

Contact: Account N°:

Telephone: Fax:



Material		Number of turns	
$\varnothing d$		Pitch	
$\varnothing D_0$		Housing diameter $\varnothing E$	
Length at rest L_0		Axle diameter $\varnothing F$	
Length when loaded L_1		Ground reconciled points	<input type="checkbox"/> yes <input type="checkbox"/> no
Load (N)			

Quantity	
----------	--

Springs

HPC technical assistance
Fax 0825 88 6000

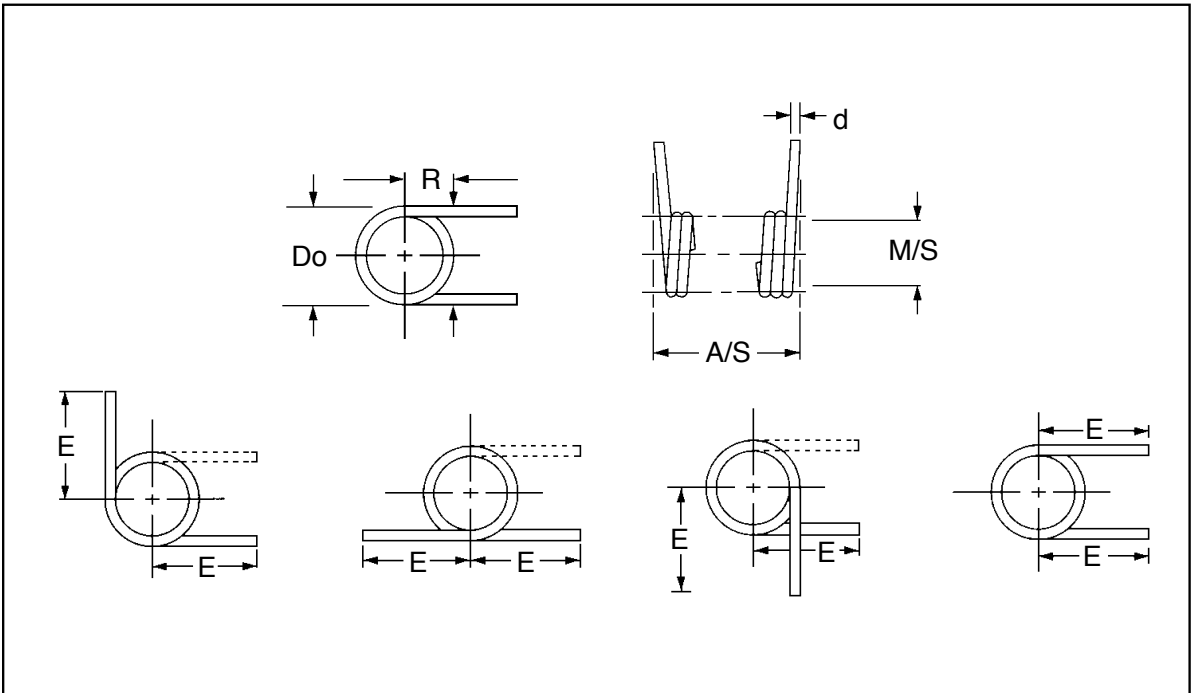
Custom-made torsion springs

For advice, please photocopy this page at 200%, fill it in, and send it to our technical assistance team.

Company: Address:

Contact: Account N°:

Telephone: Fax:



Material			
$\varnothing d$		Ring diameter $\varnothing B$	
$\varnothing D_o$		Ring orientation	<input type="checkbox"/> 0° <input type="checkbox"/> 90°
Length at rest L_0			
Length when loaded L_1			
Load (N)			

Quantity	
----------	--